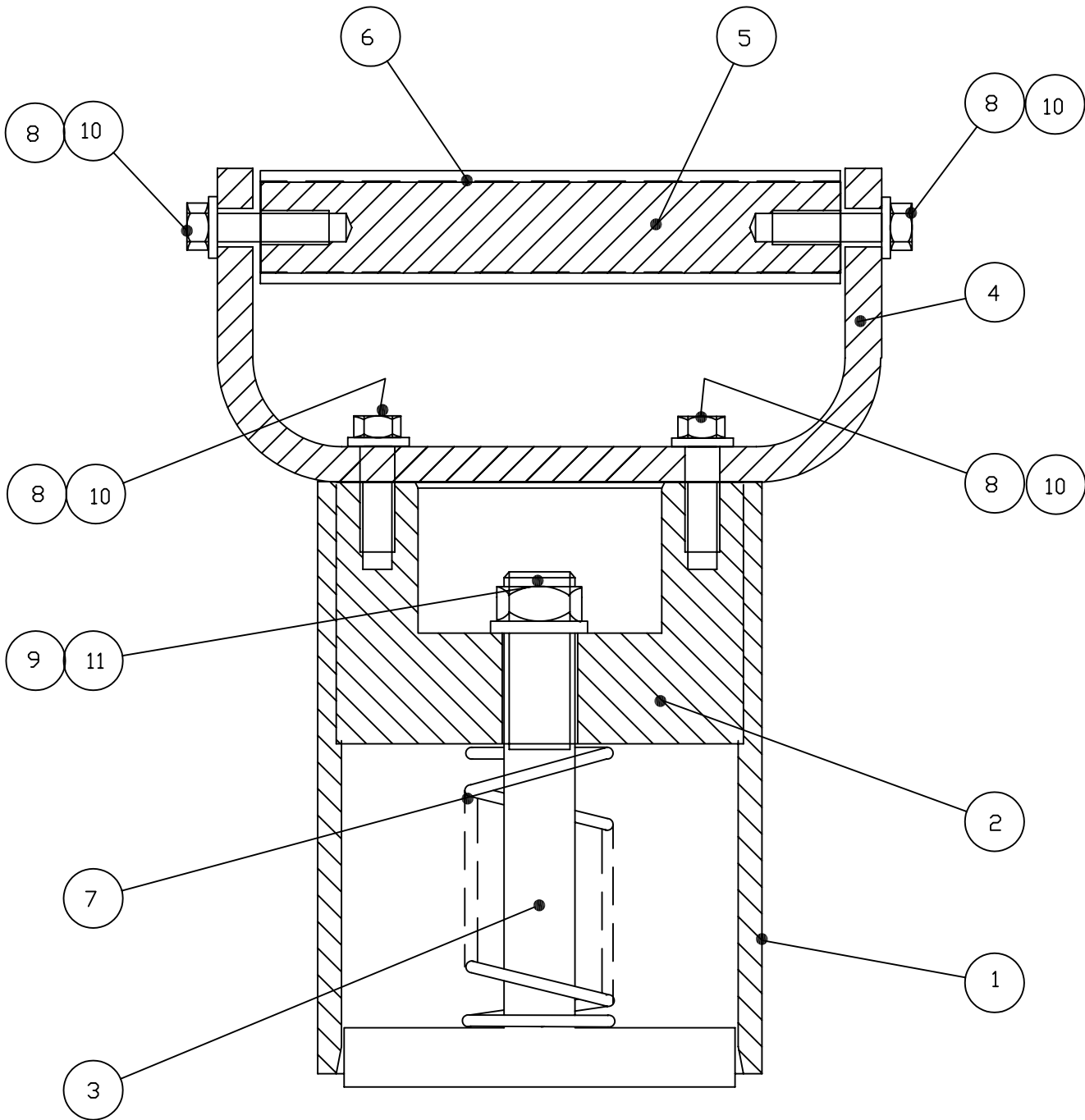


DO NOT SCALE

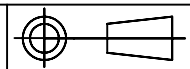


JJS001	Sectional Elevation	-	-	-
No.	Description	CHK	AP'D	DATE
REVISIONS				

Practical  
Action  
www.practicalaction.org  
infoserv@practicalaction.org.uk

TITLE JAM JAR  
SEALER

DRAWN A.R  
TRACE -  
CHK -



NOT TO  
SCALE

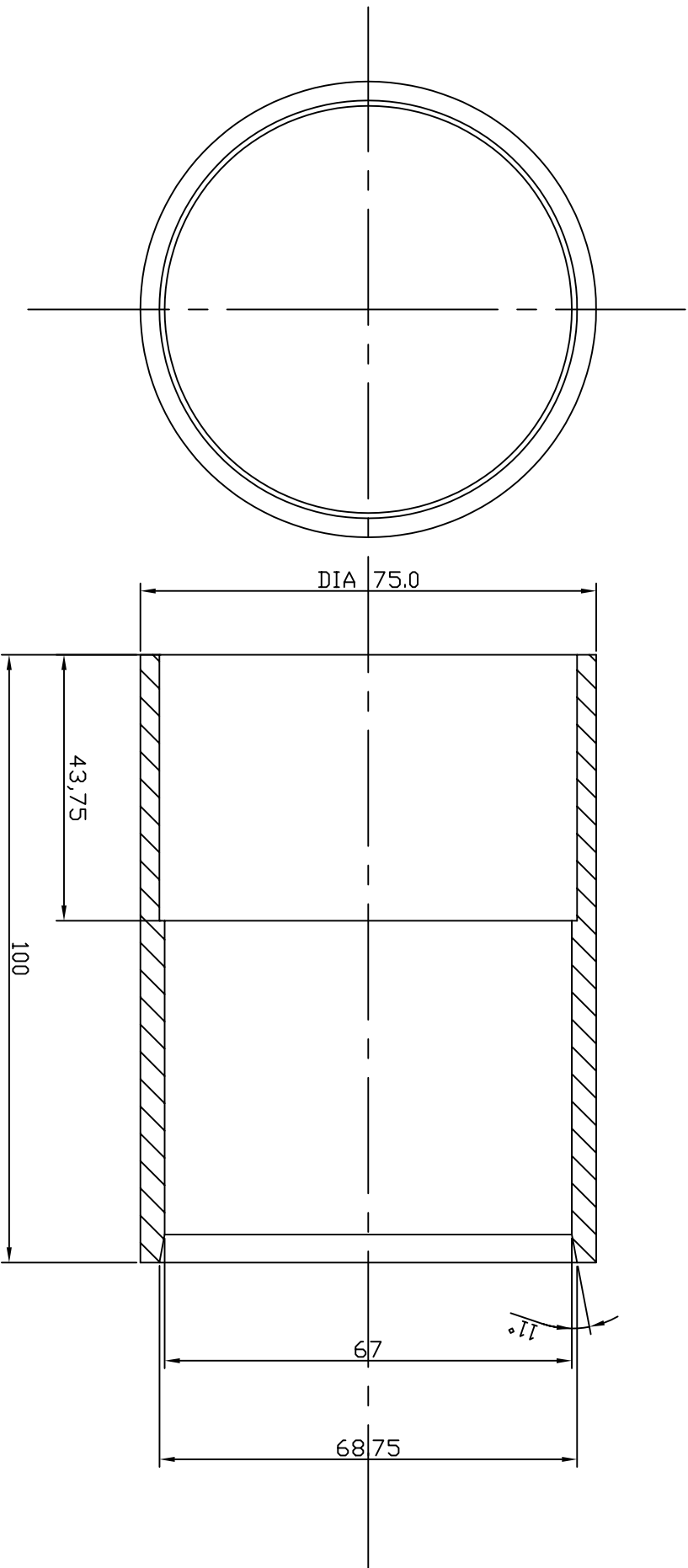
DRAWING No. JJS-001

ITEM	DESCRIPTION	PART NUMBER	QUANTITY	COMMENTS	CHECKED
1	CYLINDER	JJS101	1	Use PVC tube if available	
2	INSERT - FOR CYLINDER	JJS102	1	Press fit into cylinder JBS101	
3	PLUNGER	JJS103	1		
4	HANDLE FRAME	JJS104	1		
5	HANDLE	JJS105	1		
6	COVER - FOR HANDLE	JJS106	1	Sliding fit onto handle JJS105	
7	SPRING - FOR PLUNGER	JJS107	1	Use ready made if available	
8	HEX BOLT	1/4 BSW x 5/8 LONG	4	For JJS102 & JJS105	
9	HEX NUT	1/2 BSW x 3/4 THICK	1	For JJS103	
10	WASHER	1/4 DIA	4	For 1/4 BSW Hex Bolt	
11	WASHER	1/2 DIA	1	For 1/2 BSW Hex Bolt	

Practical  
Action

JAM JAR SEALER

DD NOT SCALE



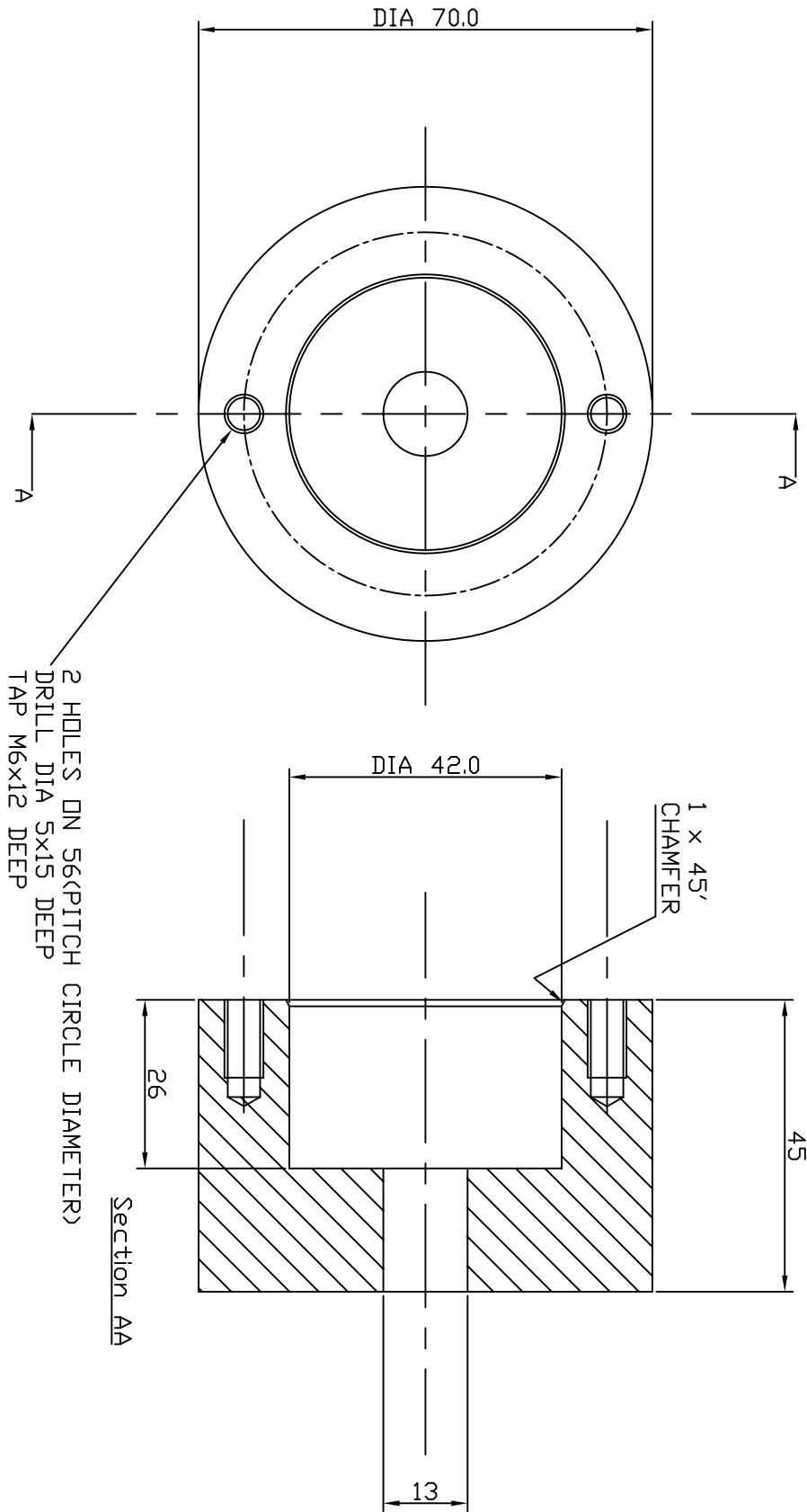
TOLERANCES  
UNLESS OTHERWISE  
STATED +/- 0.25

1 CYLINDER - MILD STEEL - 1 DFF

No.		CHK	AP'D	DATE
REVISIONS	Description			

Practical Action <a href="http://practicalaction.org">www.practicalaction.org</a> <a href="mailto:info@practicalaction.org.uk">info@practicalaction.org.uk</a>	TITLE JAM JAR SEALER	DRAWN A/R	TRACE -	CHK -	DRAWING No. JJS - 101	NOT TO SCALE
	DIMENSIONS IN MM					

DD NOT SCALE



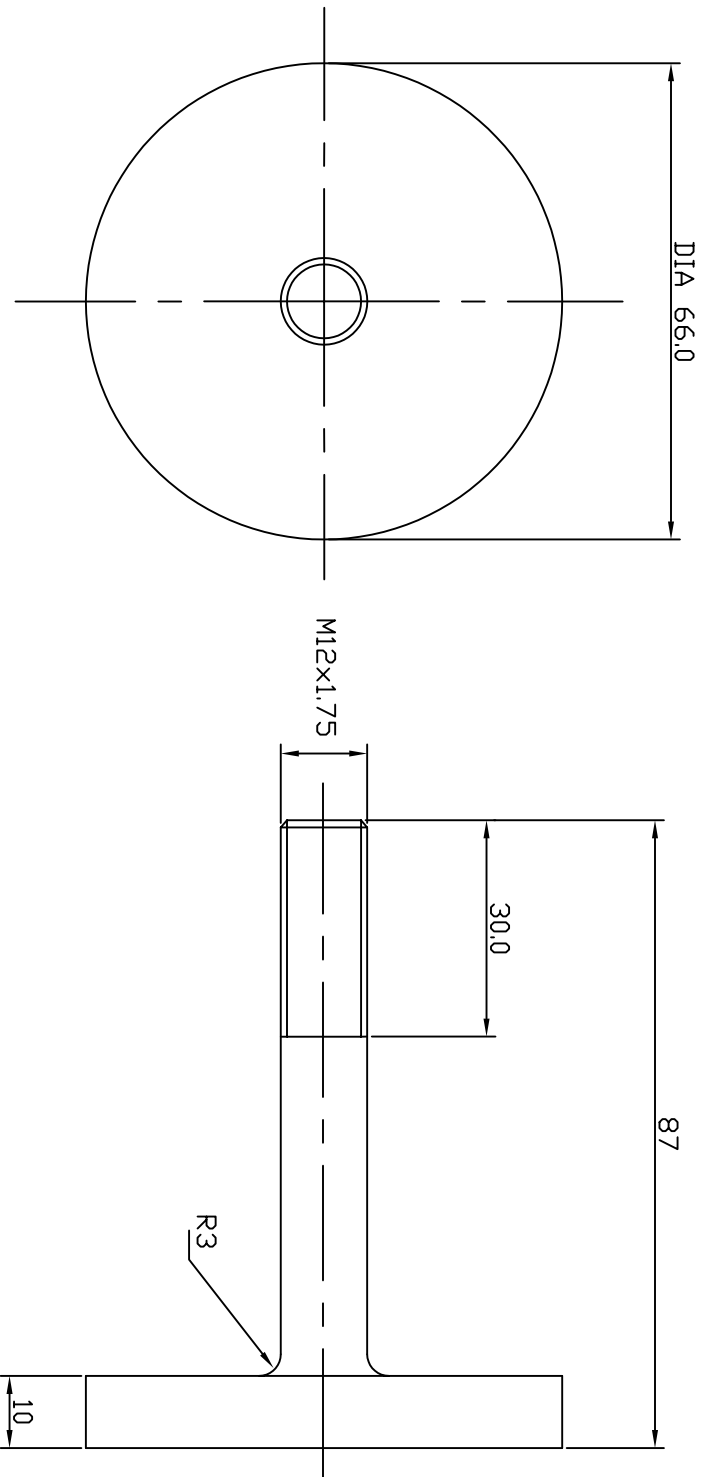
TOLERANCES  
 UNLESS OTHERWISE  
 STATED +/- 0.25

2 INSERT FOR CYLINDER - MILD STEEL -  
 1 OFF

No.				
REVISIONS	Description	CHK	AP'D	DATE

Practical Action	TITLE JAM JAR SEALER	DRAWN A/R	TRACE	CHK		NOT TO SCALE
www.practicalaction.org info@practicalaction.org.uk	DIMENSIONS IN MM	DRAWING No. JJS-102				

DD NDT SCALE

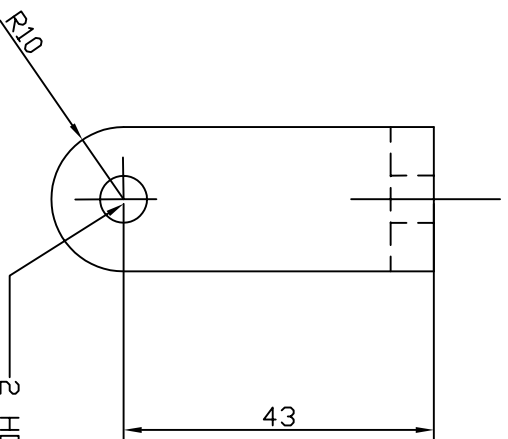
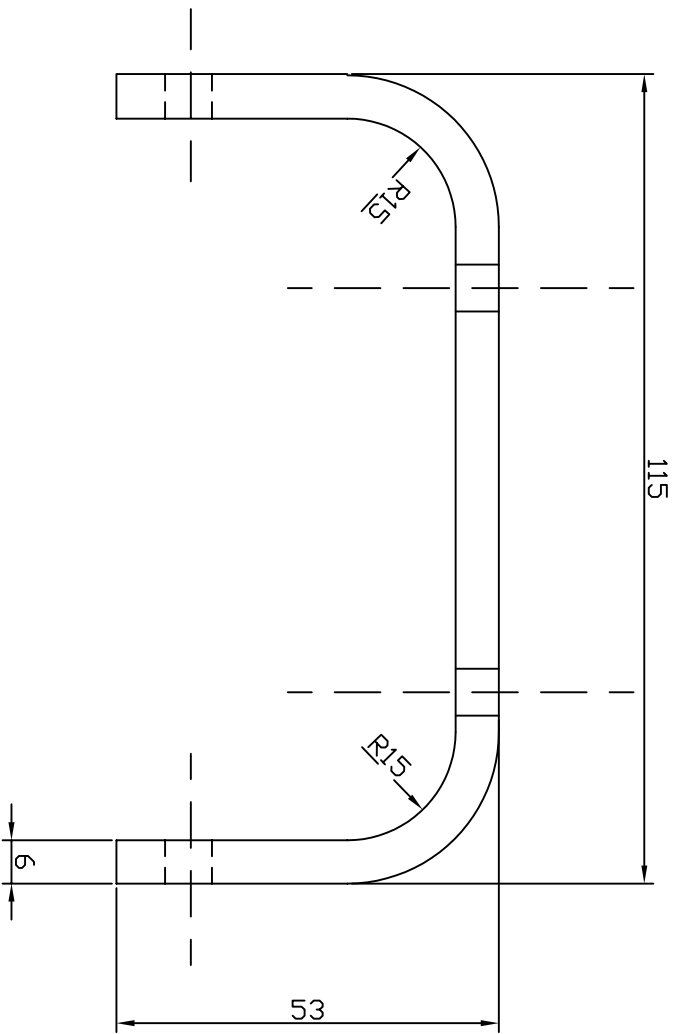
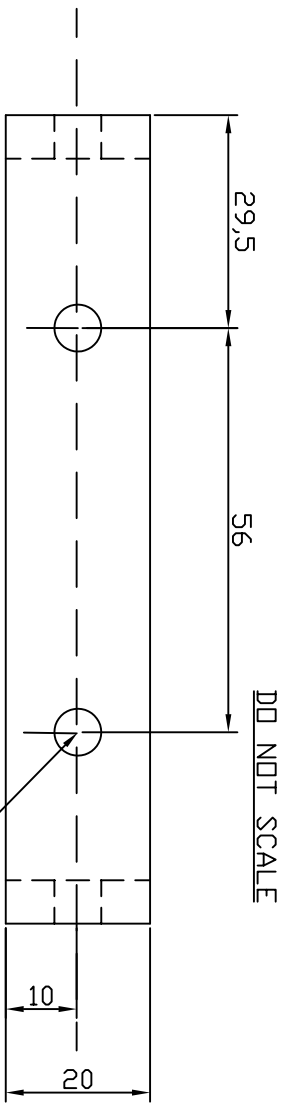


TOLERANCES  
UNLESS OTHERWISE  
STATED +/- 0.25

03 PLUNGER - MILD STEEL - 1 DFF

No.		CHK	AP'D	DATE
REVISIONS	Description			

Practical Action <a href="http://www.practicalaction.org">www.practicalaction.org</a> <a href="mailto:info@practicalaction.org">info@practicalaction.org</a>	TITLE JAM JAR SEALER	DRAWN A/R	TRACE -	CHK -	NDT TO SCALE
	DIMENSIONS IN MM				DRAWING No. JJS-103



04 HANDLE FRAME - MILD STEEL - 1 OFF

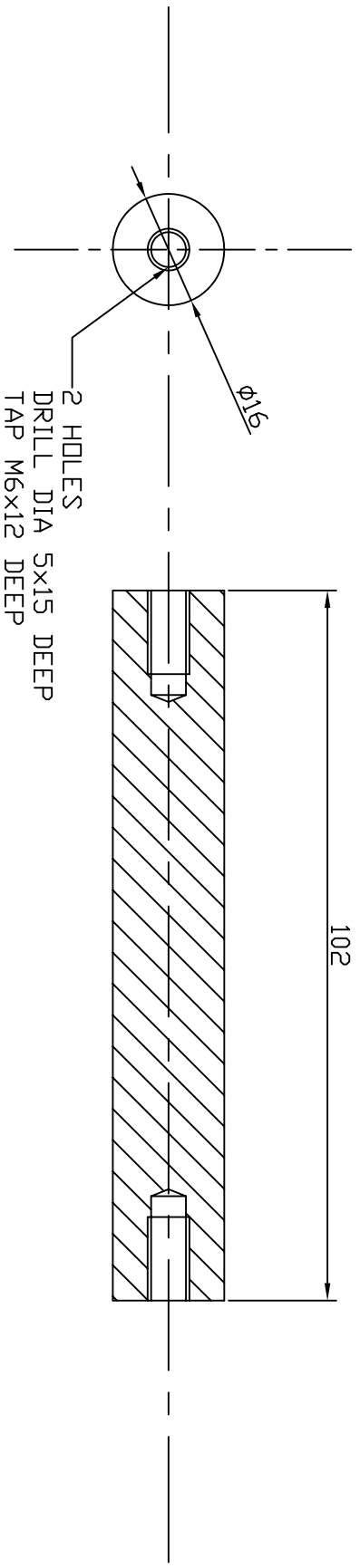
TOLERANCES  
UNLESS OTHERWISE  
STATED +/- 0,25

No.				
REVISIONS	Description	CHK	AP'D	DATE

Practical Action	TITLE JAM JAR SEALER	DIMENSIONS IN MM
------------------	----------------------	------------------

DRAWN A/R	TRACE	CHK	DRAWING No. JJS-104	NDT TO SCALE
-----------	-------	-----	---------------------	--------------

DD NDT SCALE

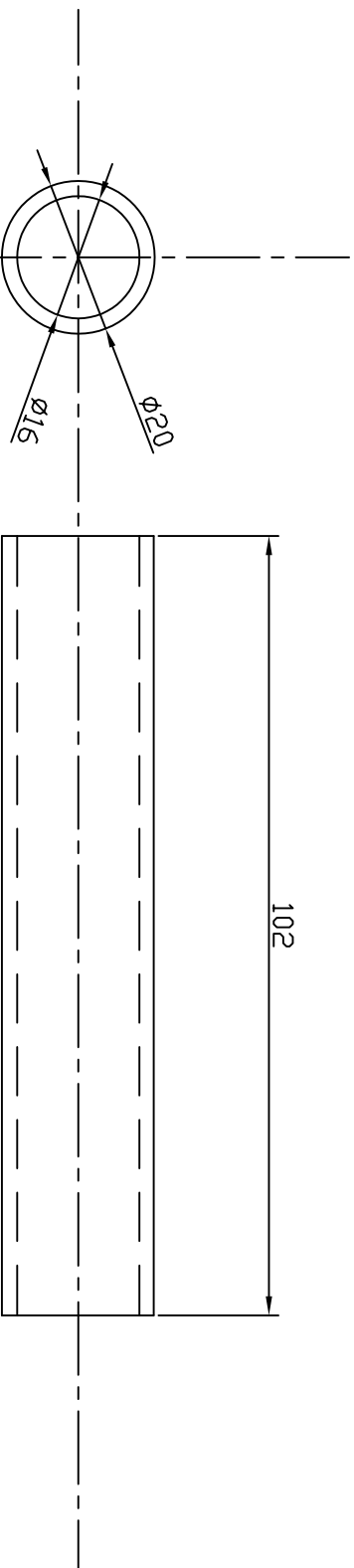


TOLERANCES  
UNLESS OTHERWISE  
STATED +/- 0.25

05 HANDLE - MILD STEEL - 1 DFF

Practical Action <a href="http://www.practicalaction.org">www.practicalaction.org</a> <a href="mailto:info@practicalaction.org">info@practicalaction.org</a>		TITLE JAM JAR SEALER		DRAWN A.R		TRACE -		CHK -		NDT TO SCALE	
DIMENSIONS IN MM											
TOLERANCES UNLESS OTHERWISE STATED +/- 0.25											
Practical Action <a href="http://www.practicalaction.org">www.practicalaction.org</a> <a href="mailto:info@practicalaction.org">info@practicalaction.org</a>		TITLE JAM JAR SEALER		DRAWN A.R		TRACE -		CHK -		NDT TO SCALE	
DIMENSIONS IN MM											
TOLERANCES UNLESS OTHERWISE STATED +/- 0.25											
No. REVISIONS	Description	CHK	AP'D	DATE							

DD NDT SCALE



TOLERANCES  
UNLESS OTHERWISE  
STATED +/- 0.25

06 HANDLE COVER - PVC TUBE - 1 DFF

Practical Action <a href="http://www.practicalaction.org">www.practicalaction.org</a> <a href="mailto:info@practicalaction.org.uk">info@practicalaction.org.uk</a>		TITLE JAM JAR SEALER		DRAWN A.R	TRACE -	CHK -		NDT TO SCALE
DIMENSIONS IN MM								
No. REVISIONS	Description	CHK	AP'D	DATE				